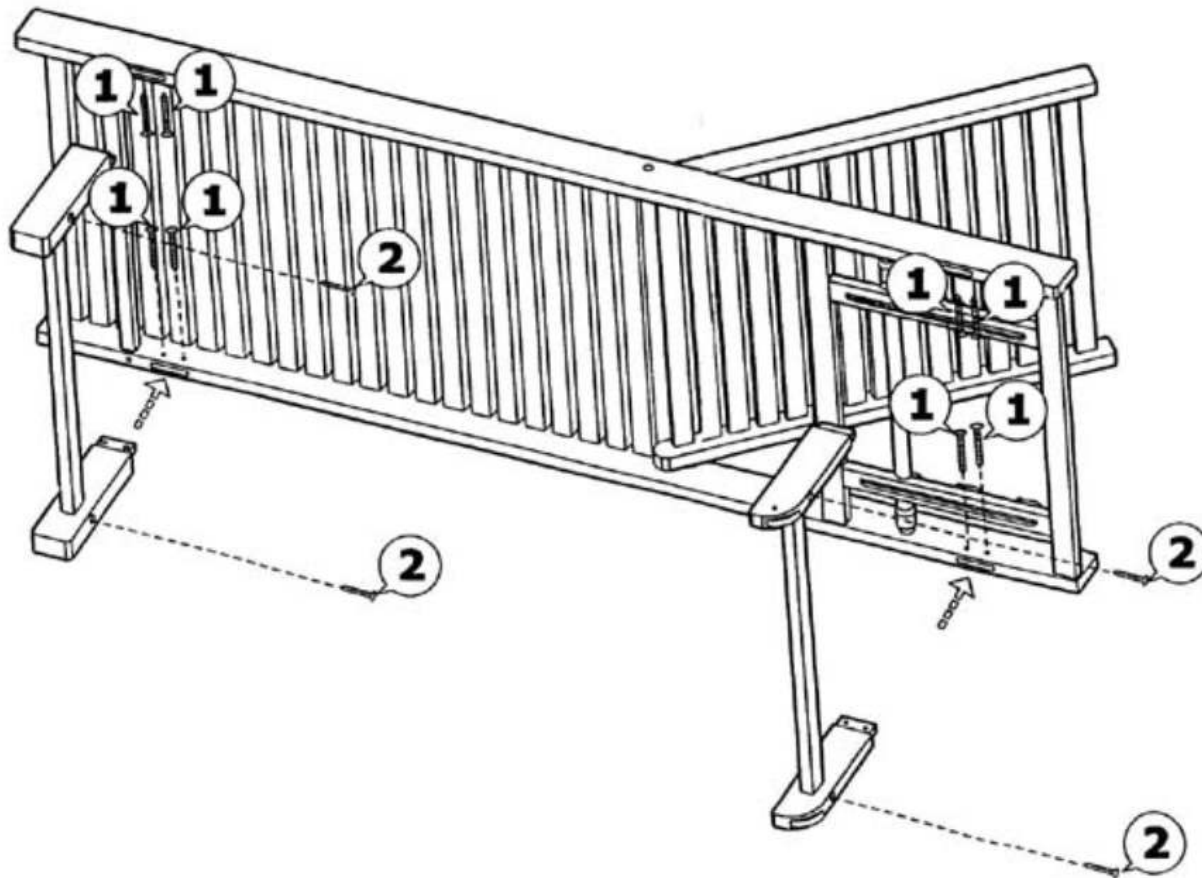
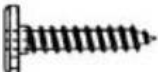

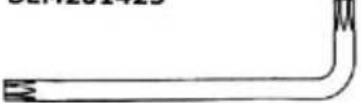


Assembly Instruction

INSTRUCTION DE MONTAGE
MONTAGEANLEITUNG
SAMLEVEJLEDNING



- 1** 
F-screw 6x30-T30, GS x 8 PCS
SEM201424
- 2** 
F-screw 6x40-T30, GS x 4 PCS
SEM201425
- 3** 
Torx key T30, GS x 1 PCS
SEM201430

Nias Wheelounger