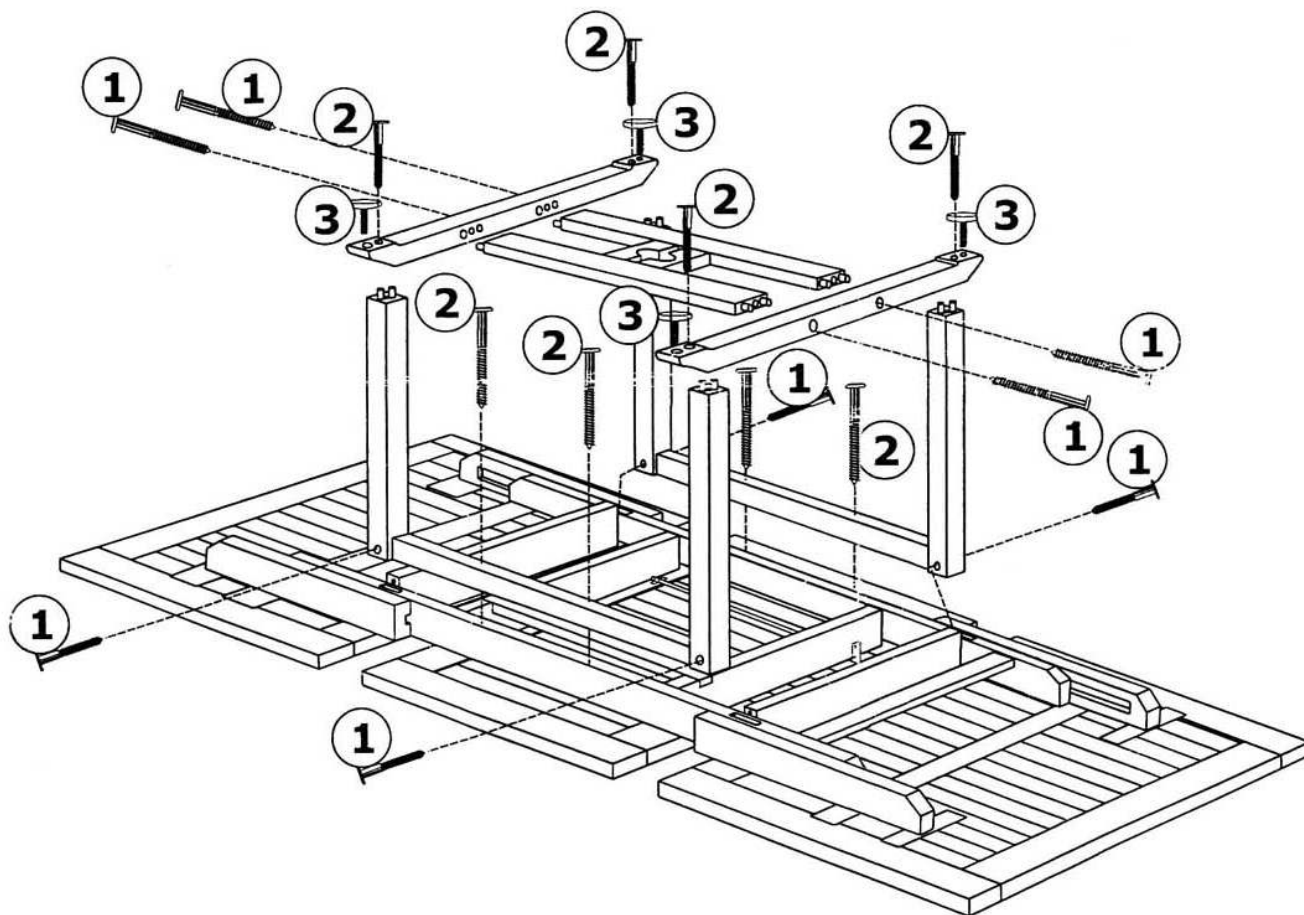


Assembly Instruction

INSTRUCTION DE MONTAGE

MONTAGEANLEITUNG

SAMLEVEJLEDNING

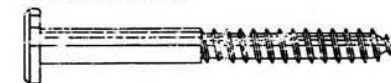


1



F-screw 6x80-T30, GS x 8 PCS
SEM201429

2



F-screw 6x70-T30, GS x 8 PCS
SEM201428

3

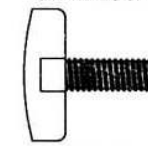
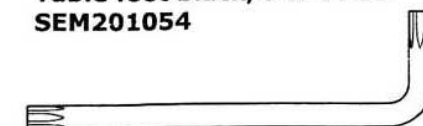


Table foot black, P x 4 PCS
SEM201054

4



Torx key T30, GS x 1 PCS
SEM201430

Lampung Ext. Rect. Table 180-240 x 120