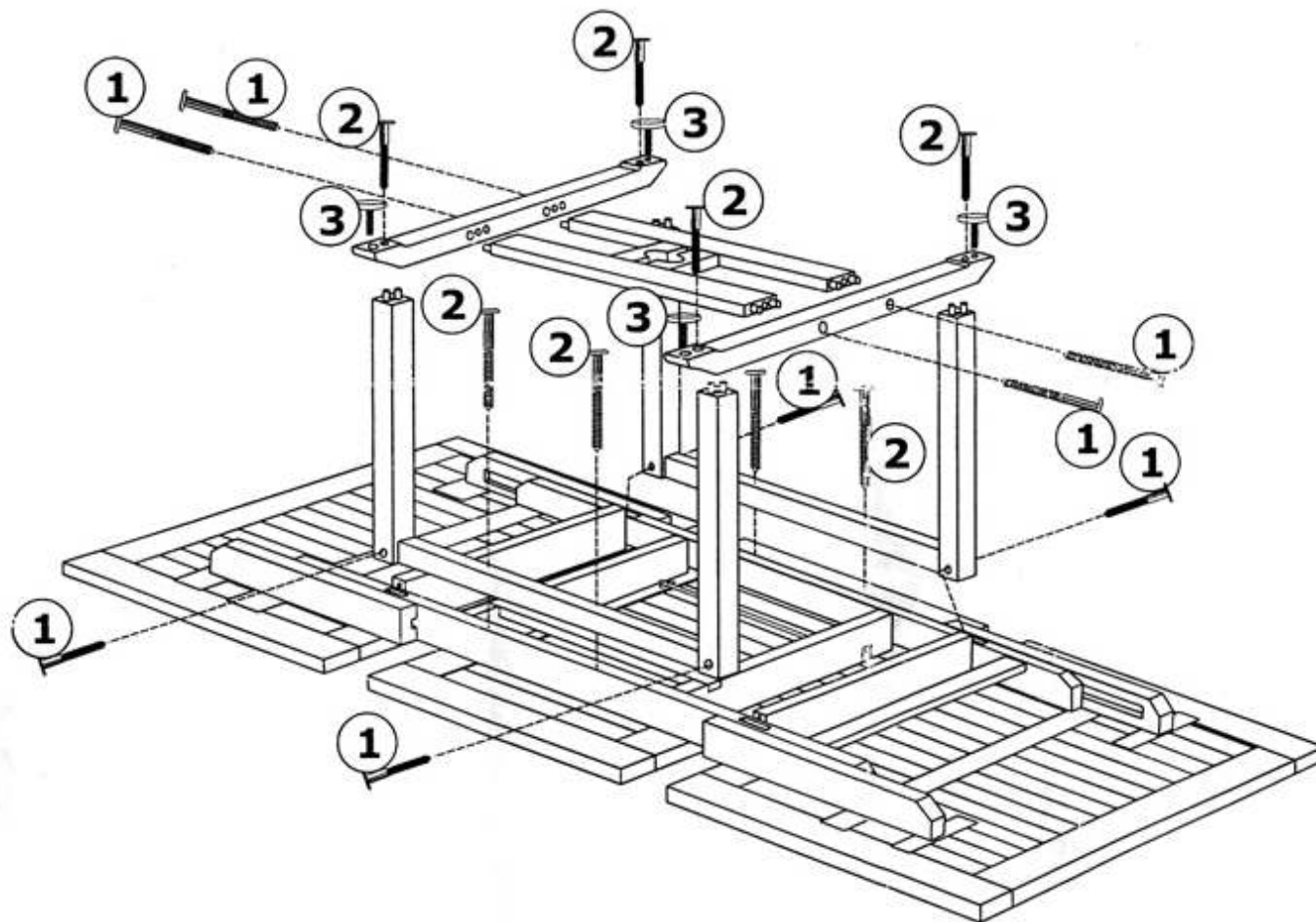


# Assembly Instruction

INSTRUCTION DE MONTAGE

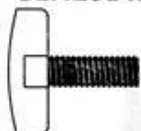
MONTAGEANLEITUNG

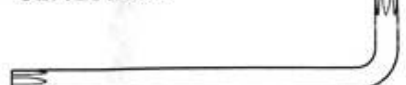
SAMLEVEJLEDNING



①   
F-screw 6x80-T30, GS x 8 PCS  
SEM201429

②   
F-screw 6x70-T30, GS x 8 PCS  
SEM201428

③   
Table foot black, P x 4 PCS  
SEM201054

④   
Torx key T30, GS x 1 PCS  
SEM201430

⑤   
Scancom brasscenter, SB x 1 PCS  
SEM600001

Lampung Ext. Rect. Table 180-240 x 105