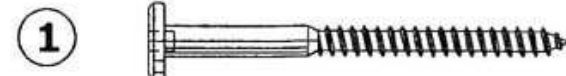
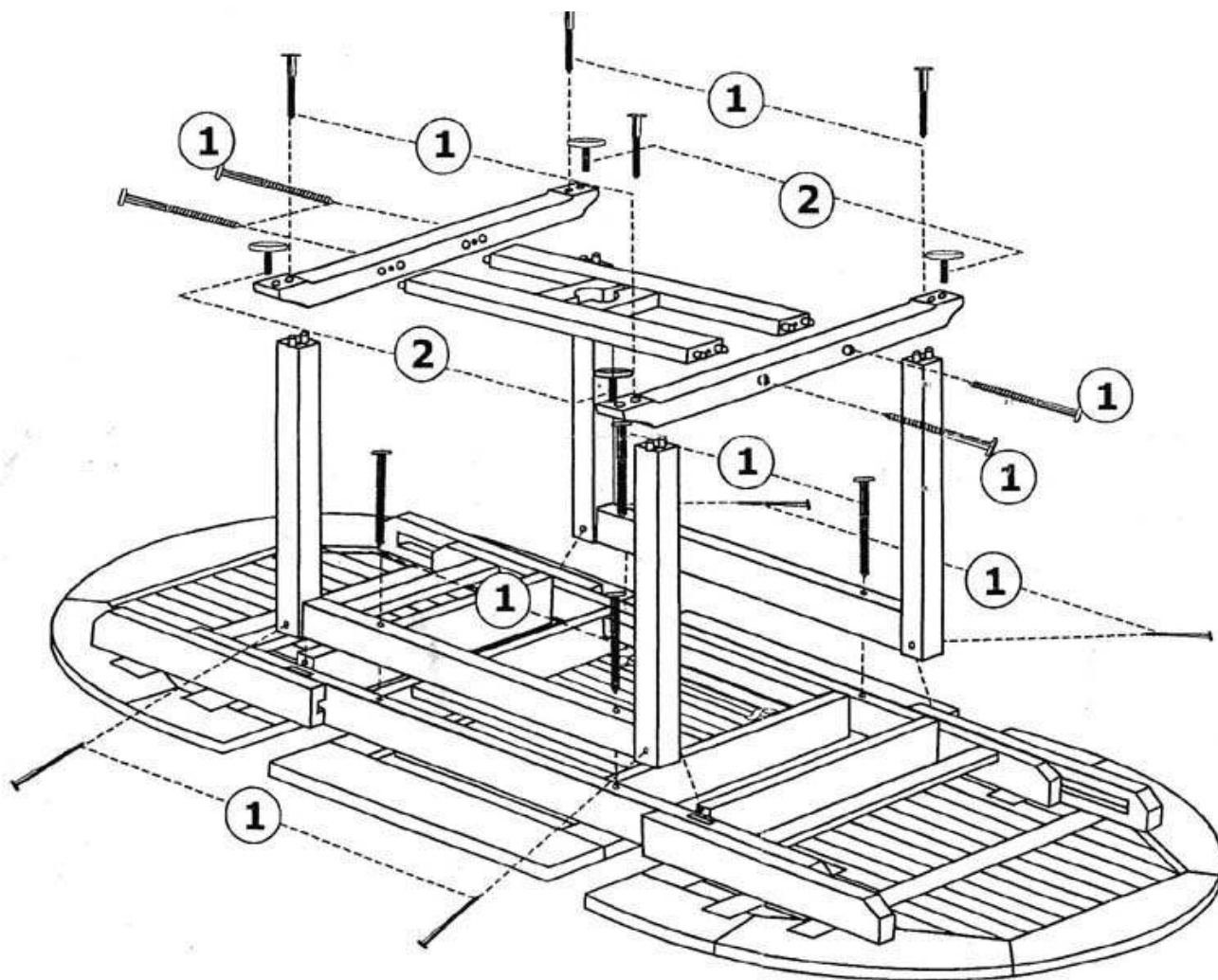


Assembly Instruction

INSTRUCTION DE MONTAGE

MONTAGEANLEITUNG

SAMLEVEJLEDNING



F-screw 8 cm x 16 PCS
SEM201429



Table foot black, P x 4 PCS
SEM201054



Torx key T30, GS x 2 PCS
SEM201430

Lampung Ext. Oval Table 180-240 x 120