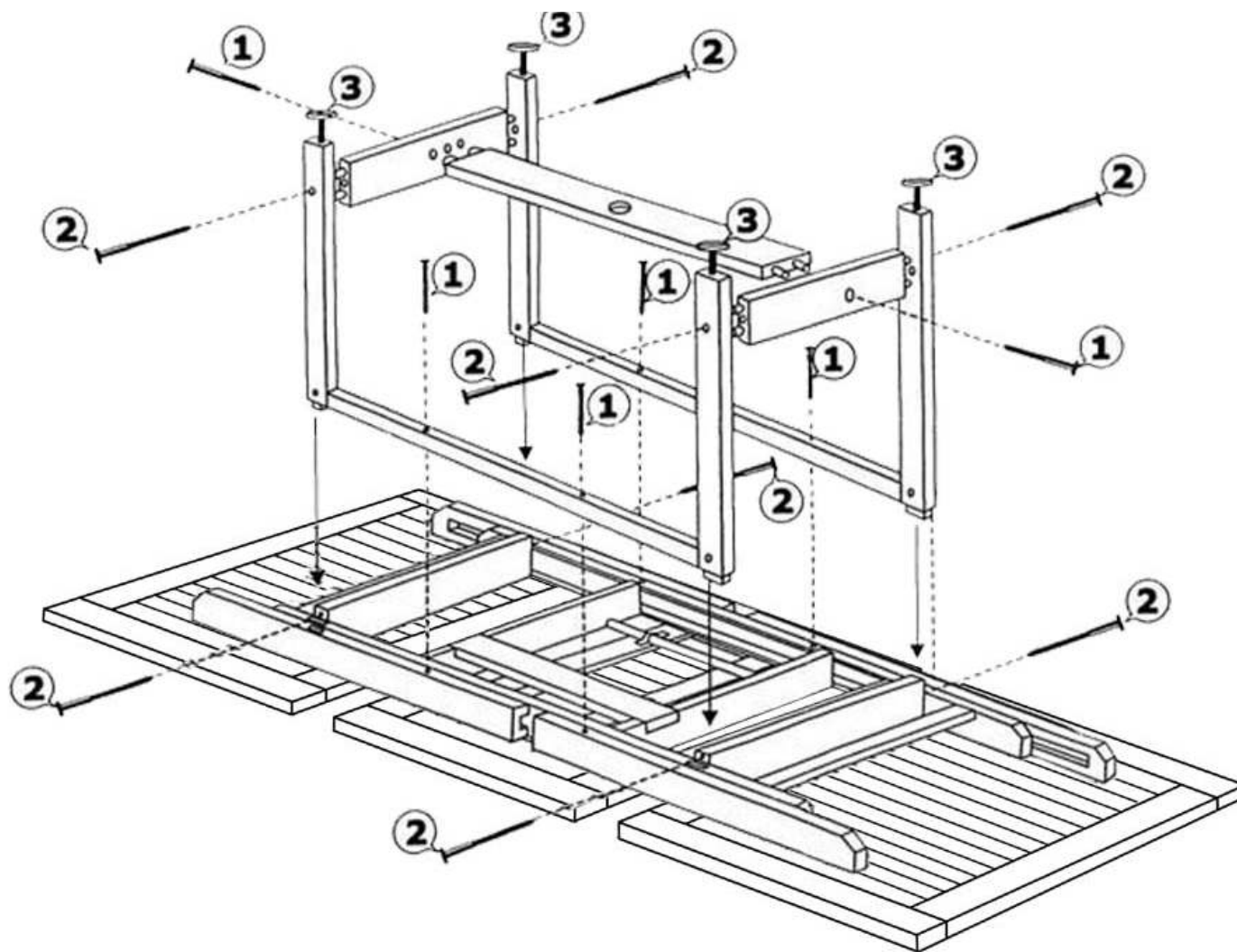


Assembly Instruction

INSTRUCTION DE MONTAGE

MONTAGEANLEITUNG

SAMLEVEJLEDNING



F-screw 6x80-T30, GS x 8 PCS
SEM201429



F-screw 6x70-T30, GS x 8 PCS
SEM201428

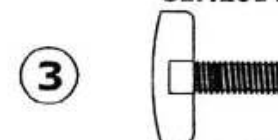
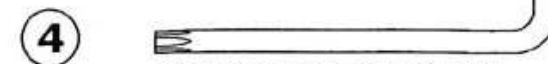


Table foot black, P x 4 PCS
SEM201054



Torx key T30, GS x 1 PCS
SEM201430

Kalimantan Ext Rect. Table 170-220 x 120