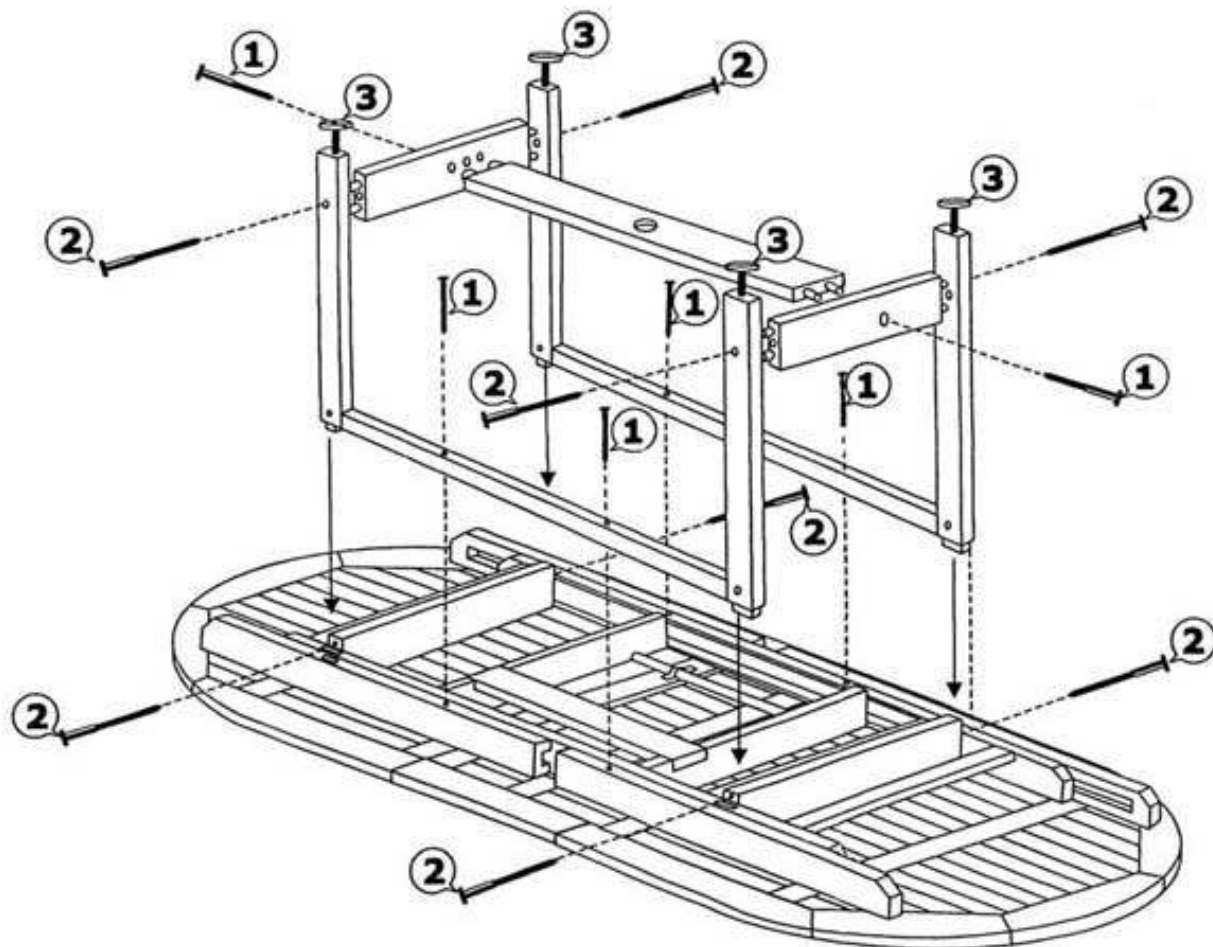



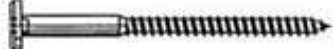
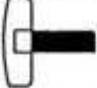
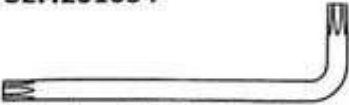
# Assembly Instruction

INSTRUCTION DE MONTAGE

MONTAGEANLEITUNG

SAMLEVEJLEDNING



- 1**   
F-screw 6x70-T30, GS x 6 PCS  
SEM201428
- 2**   
F-screw 6x80-T30, GS x 8 PCS  
SEM201429
- 3**   
Table foot black, P x 4 PCS  
SEM201054
- 4**   
Torx key T30, GS x 1 PCS  
SEM201430

**Kalimantan Ext. Oval Table 170-220 x 105**