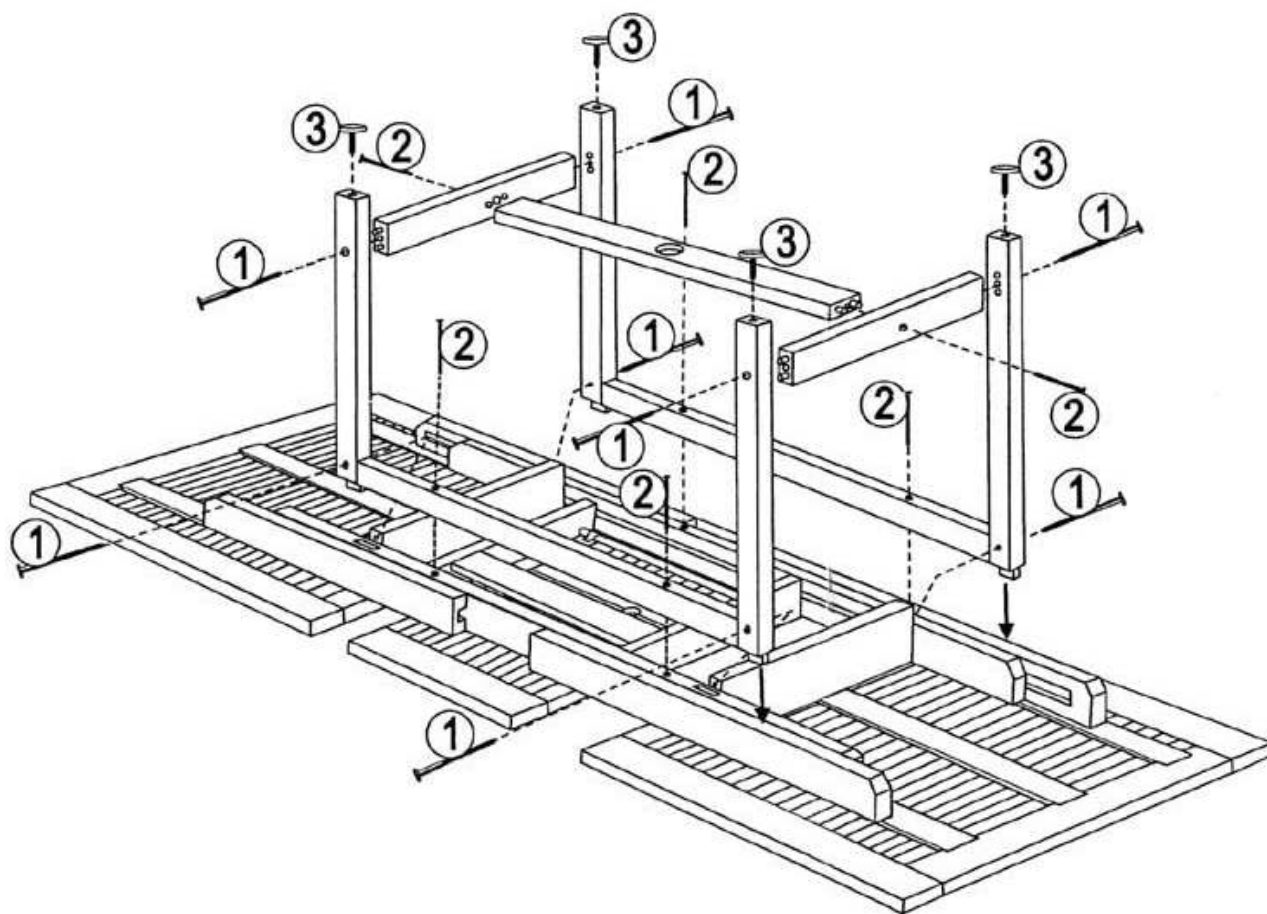


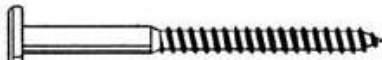


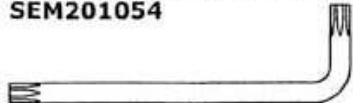
Assembly Instruction

INSTRUCTION DE MONTAGE

MONTAGEANLEITUNG

SAMLEVEJLEDNING



- 1** 
F-screw 6x80-T30, GS x 8 PCS
SEM201429
- 2** 
F-screw 6x70-T30, GS x 6 PCS
SEM201428
- 3** 
Table foot black, P x 4 PCS
SEM201054
- 4** 
Torx key T30, GS x 1 PCS
SEM201430

Bali Ext. Rect. Table 170-220x105cm