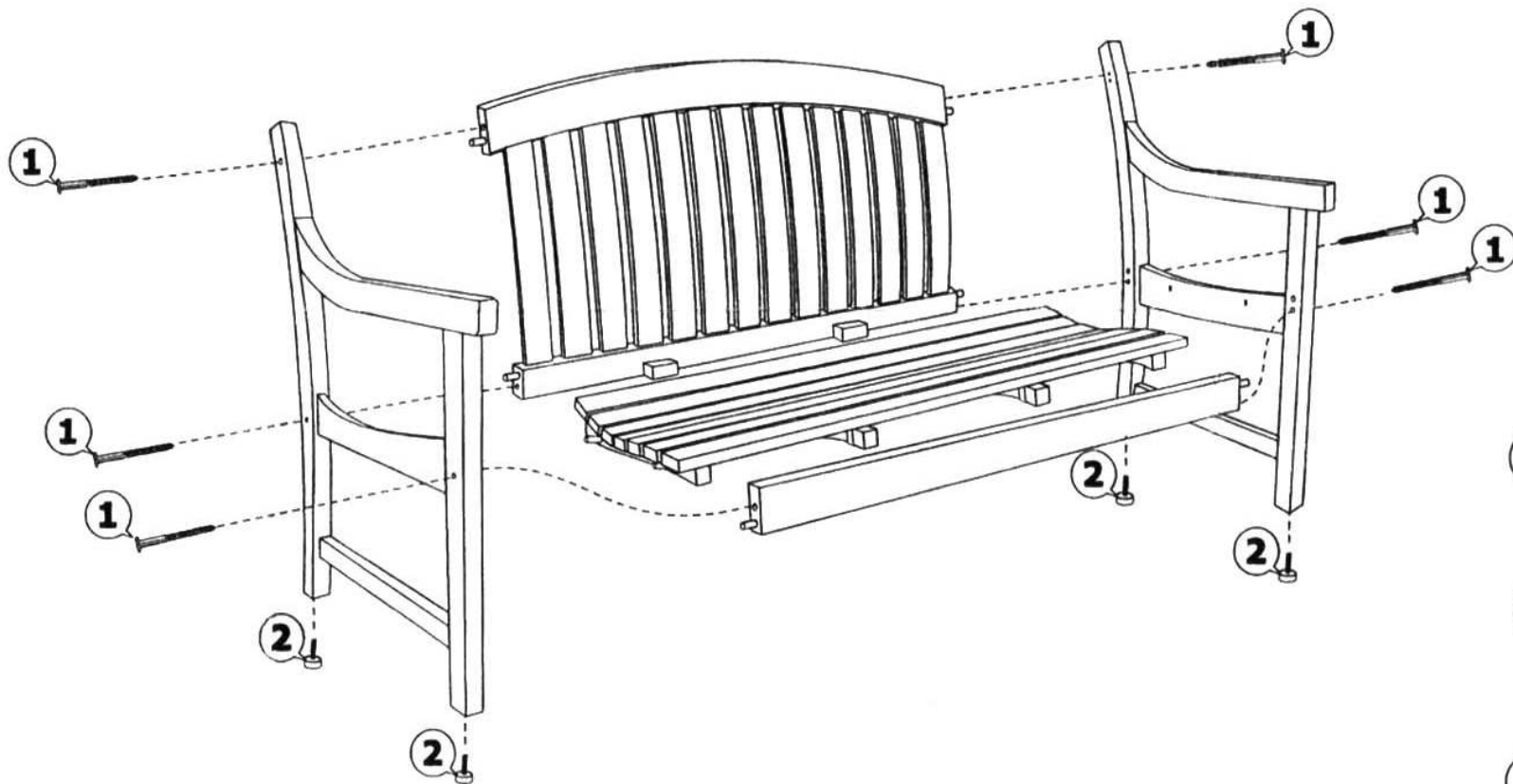


# Assembly Instruction

INSTRUCTION DE MONTAGE

MONTAGEANLEITUNG

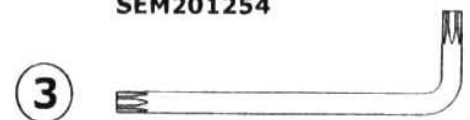
SAMLEVEJLEDNING



**1** F-screw 6x80-T30, GS x 6 PCS  
SEM201429



**2** Bench foot black, P x 4 PCS  
SEM201254



**3** Torx key T30, GS x 1 PCS  
SEM201430



Universal Assembly Instructions (OS)  
Slight Differences may apply