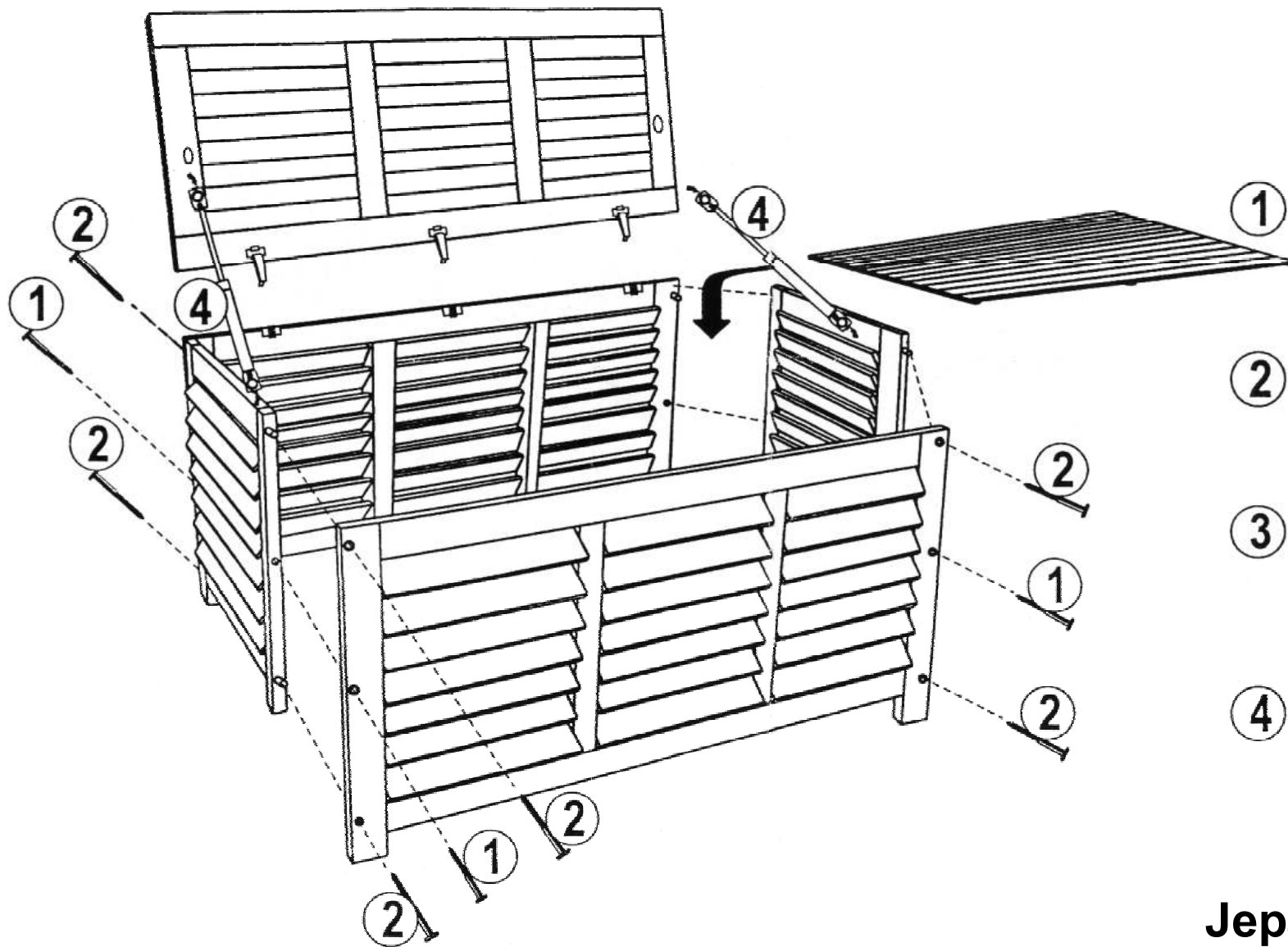
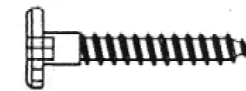


Assembly Instruction

INSTRUCTION DE MONTAGE
MONTAGEANLEITUNG
SAMLEVEJLEDNING



1



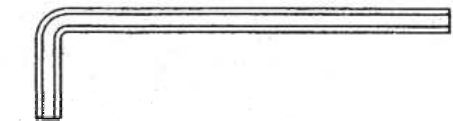
F-screw 6x40, GS x 4 PCS
SEM201070

2



F-screw 6x60, GS x 8 PCS
SEM201072

3



Inset key long 4mm, GS x 1 PC
SEM201312

4



Gas spring, Mix x 2 PCS
SEM201xxx

Jebara Cushion Box